



PFS-080

Fused switch

supplied with 80A fuse



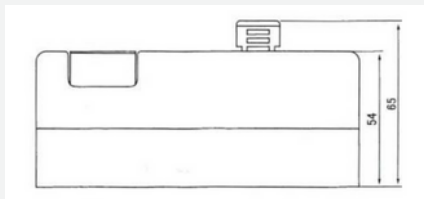
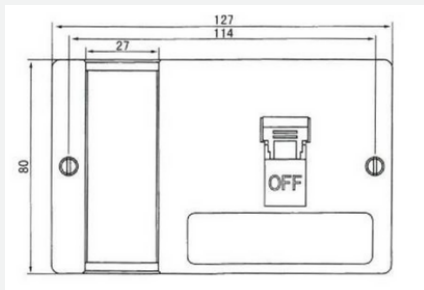
Fused switch PFS-080



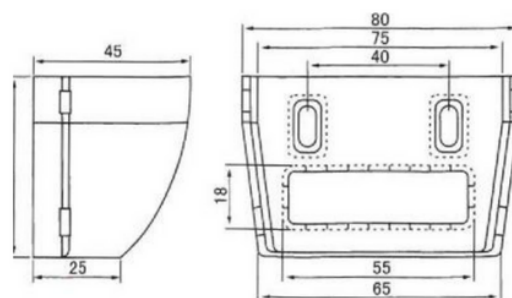
The main technical parameters

Product name	PFS-080
Rated Current Ie	80A
Utilization Category	AC21 switching of resistive loads
Number of poles	2
Switch conforms to	BS EN 60947-3
Rated Operating Voltage (Ue):	240V 50Hz
IP rating	IP2X to BS EN 60529
Max. Cable capacity	25mm ²
Rated insulation voltage (V) Ui	690
Enclosure Material	Thermosetting Plastic
Finish	Cover: white / Base: grey
Dimensions (mm)	80H x 127W x 54D
Knockouts	Top and bottom
Tightening torque	Terminals 2.5Nm
Fuse Cartridge	22x58mm cylindrical body
Fuse Rating	Up to 80A type ME (Unit supplied with 80A fuse link as standard)
Fuse Breaking Capacity	33KA @ 0.3pf / 80KA @ 0.15pf
Fuse conforms to	IEC60269-3 / BS88-3

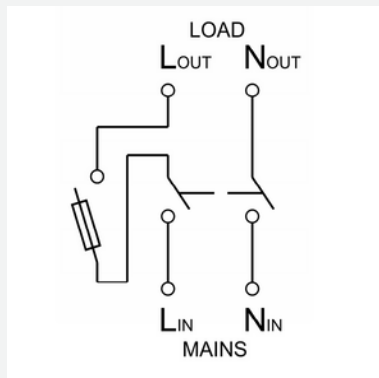
Product and installation dimensions(MM)



MSF100(CD)



Basic circuit diagram



This unit must be installed by a qualified electrician in accordance with the latest edition of the IET Wiring Regulations for Electrical Installations (BS 7671).

1 Installation Guide

- 1.1 Ensure red toggle is in the OFF position
- 1.2 Loosen 2 front cover screws and remove cover
- 1.3 Fix securely to wall using 3 screws. Do not over tighten
- 1.4 Use cable shroud if required to protect surface cables.
- 1.5 Fix cable shroud to wall using 2 screws
- 1.6 Cut, dress and connect cables as shown in the wiring diagram above.
MAINS IN cables are covered by a red shroud
- 1.7 Check all connections are torqued to the correct settings **2.5Nm for the switch**
- 1.8 Re-fit front cover

Select and insert the correct fuse rating for the installation. Ensure that the fuse holder is closed fully before switching on.

2 Testing of the Installation

- 2.1 After completion of the installation, it is essential that it is tested in accordance with the latest edition of the IET wiring Regulations for Electrical Installations (BS 7671).

**ALWAYS TURN OFF THE MAIN SWITCH BEFORE OPENING THE FUSE HOLDER.
THE FUSE MUST NOT BE INSTALLED OR REMOVED UNDER LOAD.**

USER GUIDE MUST BE LEFT WITH THE UNIT FOR FUTURE REFERENCE